

CORPORATE HEADQUARTERS

EcoSense Lighting Inc  
915 Wilshire Blvd, Suite 2175  
Los Angeles, CA 90017  
PHONE +1 310.496.6255  
FAX +1 310.496.6256  
TOLL FREE 855.632.6736 / 855.6.ECOSEN

HONG KONG OFFICE

EcoSense Lighting Company Limited  
10/F, Aitken Vanson Centre  
61 Hoi Yuen Road  
Kwun Tong, Kowloon  
Hong Kong  
PHONE +852.2304.0189  
FAX +852.2304.0969

ECOSENSE®

PRODUCT GUIDE

FREEDOM TO CREATE

ECOSENSE®

---

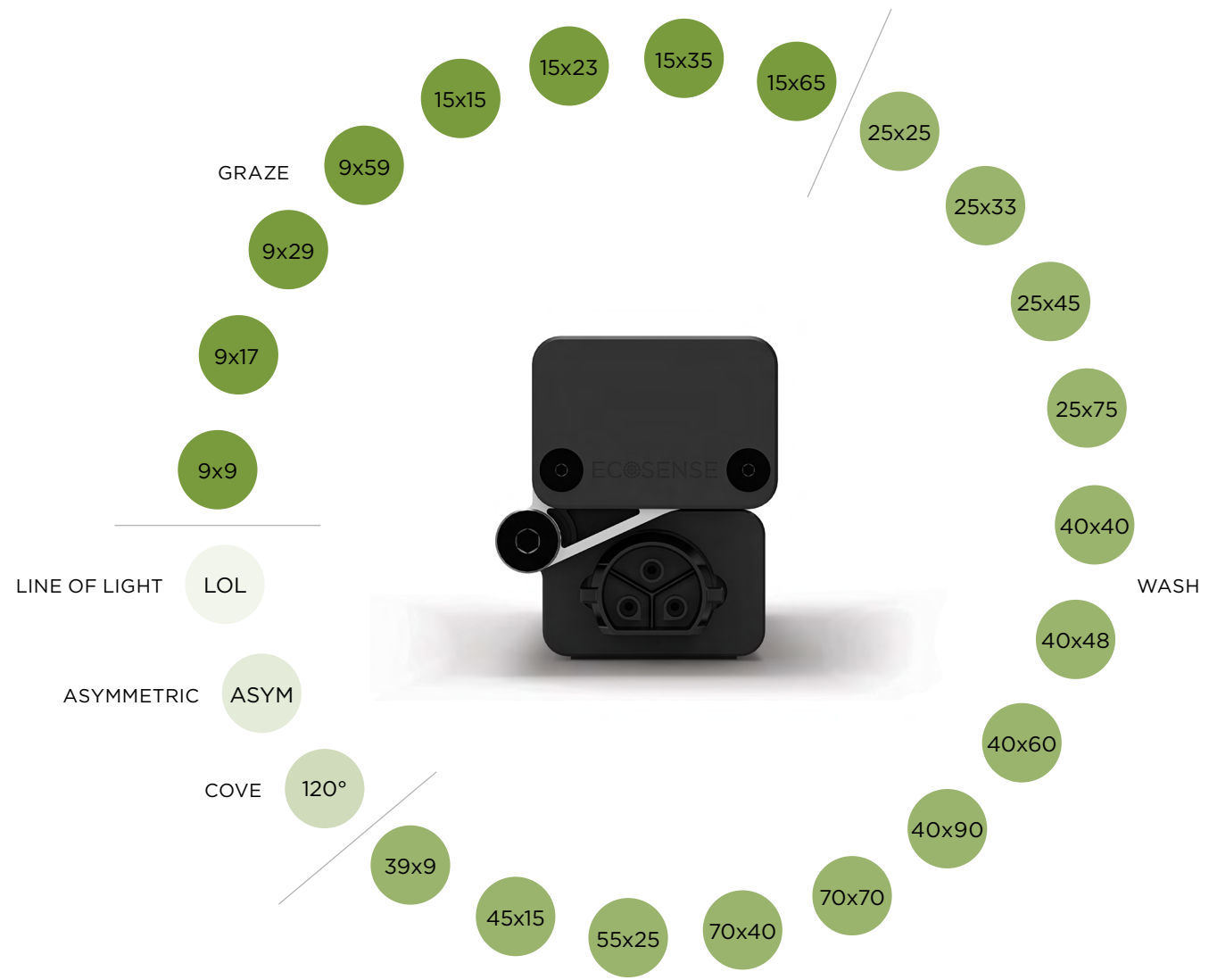
**STATUS QUO IS A NO GO.** At EcoSense, we are never satisfied with ordinary lighting. Other lighting may do a good job, but sometimes good isn't enough. We scrutinize every detail to achieve the most beautiful light—a dedication to develop advanced, high performance, energy-saving luminaires that meet exacting demands and creativity.

# PRODUCTS

05	TRÖV
27	SLIM COVE
33	FLOODLIGHT
43	LINEAR DIMMING CONTROL MODULE
45	ERIA
47	SOLANDRA
49	ZINNIA 1000i / 1300i
51	ZINNIA 1800i
53	ZINNIA PUNCH



**START CREATING.** TROV is the only LED platform designed from the ground up. Layer by layer, we meticulously designed every detail down to the screws. Our labor and passion can be experienced in the thinnest, most advanced and configurable linear LED platform. A platform that is beautiful, adaptive and smart. A platform that enables over 20,000 product configurations.



TRÖV™

## OPTICS

**WE KNOW YOU LIKE OPTIONS.** Our team of engineers meticulously designed an optical system with the most extensive beam angle assortment in the industry. Choose from a wide range of cove, graze, wall wash, line of light and a new, powerful asymmetric beam distribution.



TROV™

## DIM TO ZERO

**FLICKER FREE.** TROV features the best dimming available for a line voltage LED linear. Dimming that puts you in ultimate control. Using a new hybrid digital power supply, TROV delivers beautiful light smoothly and without flicker all they way down to zero percent input power.

FLIP TO FLAT™

**BEND OVER BACKWARDS.** Flip to Flat is our one-of-a-kind feature that easily allows 180° rotation while reducing the height to 24.7mm (.97"). This ultra low-profile luminaire delivers light with the utmost flexibility.





TROV™

## ASYMMETRIC

**A LEAGUE OF THEIR OWN.** TROV Asymmetric not only delivers powerful and uniform light, but also is recognized as the smallest line voltage asymmetric luminaire on the market today. This uniquely compact profile allows for beautiful, consistent illumination without hot spots or shadows, perfect for illuminating ceilings.





TROV™

## COVE

**CREATE DRAMA.** TROV is an ideal way to create dramatic entry ways, accent unique architectural details or illuminate the edge of a ceiling or wall. Leading the industry in lumen packages, color temperatures and high-CRI options, TROV offers customers the most flexibility and versatility in cove lighting.





TRÖV™

## WASH + GRAZE

**PERMISSION TO BE BOLD.** With the largest selection of beam angles available, TROV is the only solution for grazing or washing surfaces with light. When grazing, use a closely-positioned narrow beam angle to vividly illuminate a surface adding deep contrast to any texture. To wash a surface or structure with light, use a wide beam angle to eliminate shadows and focus the light intensely where it belongs.

SCIENCE MUSEUM — London, England, UK  
LIGHTING DESIGN | dha Design  
LIGHTING REP | Architainment





**LONG BEACH COURTHOUSE** — Long Beach, CA  
**LIGHTING DESIGN:** Horton Lees  
Brogden Lighting Design  
**LIGHTING REP:** Performance Lighting Systems

TROV™

---

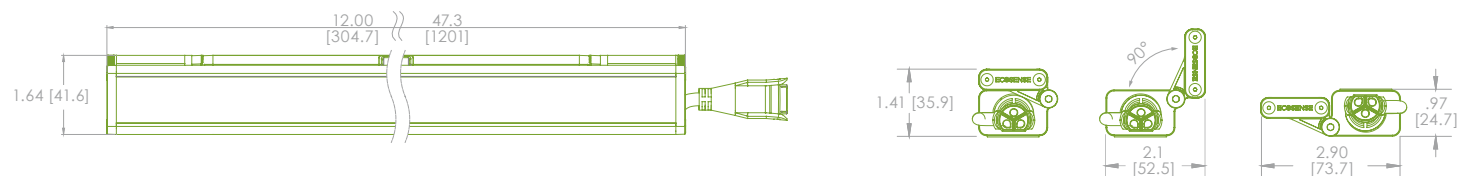
## LINE OF LIGHT

**TOP OF THE LINE.** TROV Line of Light delivers a beam of light that is ideal for creating eye-catching designs. This luminaire is also the best solution for hiding unsightly LED pixelation, especially when illuminating near reflective surfaces.

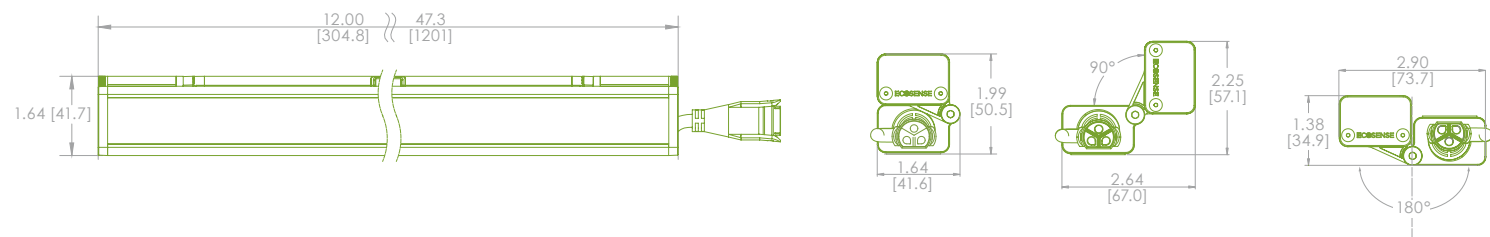
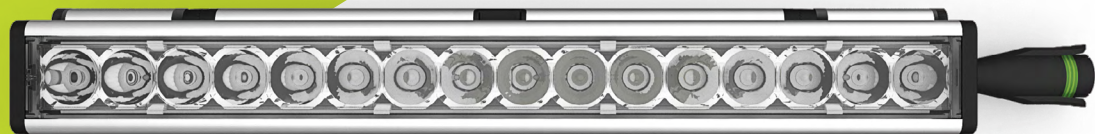
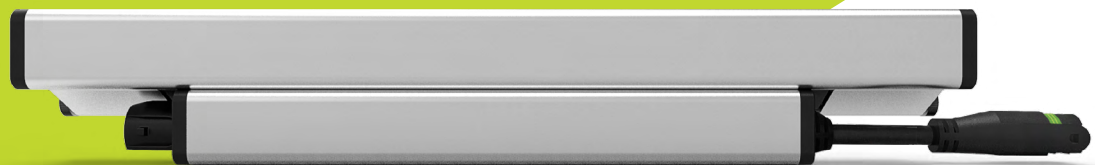


**LOW PROFILE.** An ultra-slim profile luminaire optimized for coves and indirect accent lighting applications. This luminaire features the exclusive Flip to Flat™ hinge, allowing vertical aiming from 0-180° with the thinnest and most compact profile available, measuring only 24.7mm (.97") high.

- 120° beam spread
- Flicker-free dimming
- 2-step MacAdam ellipse
- Wattage and lumen package options from 2W to 10W per LF
- Efficacy up to 92Lm/W
- CCT: 2200K, 2500K\*, 2700K, 3000K, 3500K, 4000K, 5000K
- Mono Colors
- CRI options: 80+, 90+
- 110V-277 Multi-Volt
- IP54, UL damp location
- ETL Certified, CE Mark



\*2500K not available on 10W



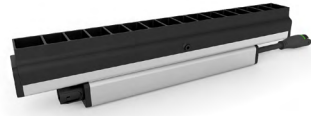
**VERSATILITY AT ITS BEST.** Measuring in at only 50mm high, TROV L50 is the most adaptive fixture for any application requiring controlled optics. TROV not only brings you the smallest linear wall grazer and wall wash on the market today but it also delivers an asymmetric beam so uniform and powerful that it competes with fixtures three times its size.

- Flicker-free dimming
- 2-step MacAdam ellipse
- Wattage and lumen package options from 2W to 10W per LF
- Efficacy up to 95Lm/W
- CCT: 2200K, 2700K, 3000K, 3500K, 4000K, 5000K
- 24 beam angle options—Cove, Graze, Wash, Line of Light, Asymmetric
- CRI options: 80+, 90+
- 120V-277 multi-volt
- Flip to Flat™ design
- Exterior: IP66, UL wet location
- Interior: IP54, UL damp location
- ETL Certified, CE Mark





Angle Lock



Symmetrical Louver



Asymmetric Louver



Honeycomb Louver



L50 & L35 Frosted Lens



L50 & L35 Clear Lens



Mounting Track



Fine-tune Adjustable Bracket



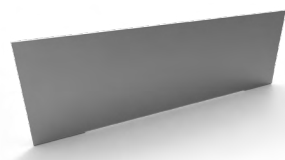
Landscape Stake



Wall Arm



90° Bracket



Masking Plate

# ACCESSORIES

INTERIOR + EXTERIOR

**DESIGNED TO WORK TOGETHER.** TROV platform includes a line of custom-designed accessories to meet any design challenge. From exclusive louvers and adjustable brackets to specialized lenses and mounting arms, TROV accessories enable limitless applications.





# SLIM COVE™

---

**POWERFULLY SMALL.** Slim Cove is the smallest line-voltage LED linear fixture on the market. This easy-to-install, non-dimming solution is available in a wide range of CCTs and is ideal for all indoor uses, such as extra-small coves, toe kicks, under cabinet, display and signage.

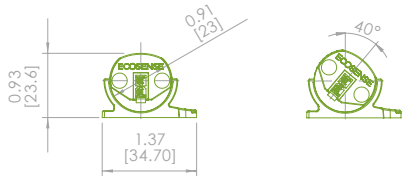
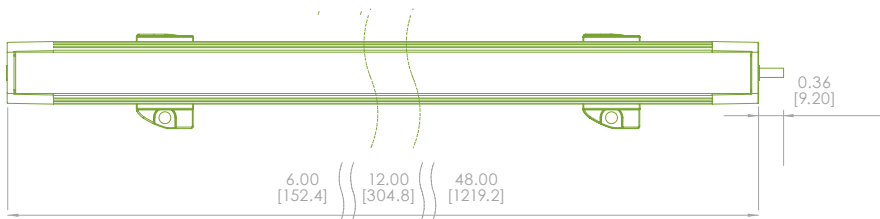
MALL OF EMIRATES—Dubai, UAE  
LIGHTING DESIGN | Francis Krahe & Associates  
ARCHITECT | F+A Architects  
LIGHTING REP | Tectronics

# SLIM COVE™

INTERIOR

**ULTRA SLIM.** Slim Cove is designed to link together tightly, eliminating dark socket shadows between fixtures for a seamless design. Slim Cove is a great alternative to low voltage systems that require costly external power supplies and complicated installation.

- Non-Dimming
- Power on board
- 80° vertical rotation
- CCT: 2700K, 3000K, 3500K, 4000K
- 350 lm/LF @4000K
- 98 lm/W @4000K
- Maximum wattage option: 4W/LF
- 120V only, line voltage
- Available lengths: 6" 12" 48"
- ETL Certified







Frosted Lens



Louver



Switched Junction Box



Rocker Switch

## SLIM COVE™

### ACCESSORIES

INTERIOR | SLIM COVE

**TAILORED TO FIT.** Slim Cove includes a line of custom-designed accessories to meet any design challenge. Specialized accessories create unique applications and alternative mounting options.





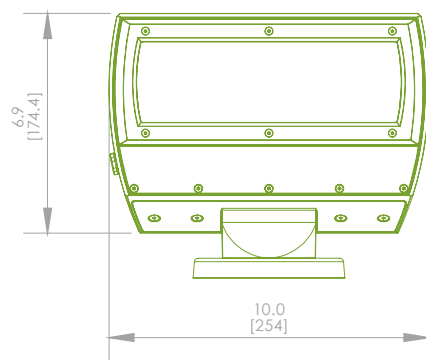
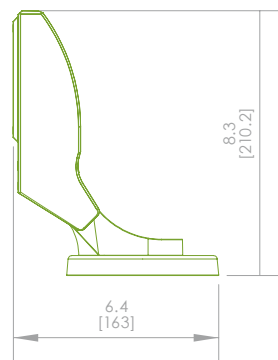
EcoSpec®

## FLOODLIGHT

**PACKS A PUNCH.** The EcoSpec Floodlight series is a powerful and versatile platform that delivers a beautiful beam of light for any interior/exterior architectural or landscape scene. EcoSpec offers a unique mechanical design that allows designers to have the ultimate control of the beam spread with an interchangeable lens.

MEMORIAL PRESBYTERIAN  
CHURCH—St. Louis, MO  
LIGHTING DESIGN | SWT Design  
LIGHTING REP | St Louis Lighting Group





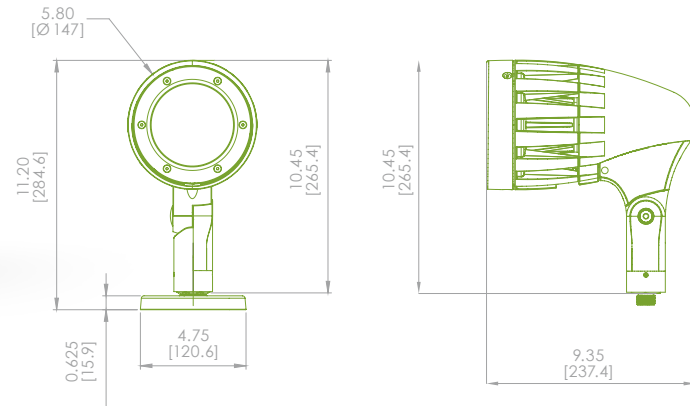
EcoSpec®

## FLOODLIGHT WASH

INTERIOR + EXTERIOR

**SPREAD THE WORD.** EcoSpec Floodlight Wash is a versatile indoor- and outdoor-rated luminaire for any architectural application. This floodlight is highly efficient and features a GORE® Vent to protect the internal system from moisture, prolonging the product's life. Field-interchangeable beam spread lenses are easy to install.

- Dimmable using Incandescent, TRIAC and ELV dimmers
- Power on board
- 190° vertical aiming
- CCT: 2700K, 3000K, 3500K, 4000K
- Beam options: 11°, 20°, 30°, 40°, 60°, 80°, 10°x60°, 30°x60°
- 2653 lm @4000K
- 53 lm/W @4000K
- IP66, UL wet location
- ETL Certified, CE Mark



EcoSpec®

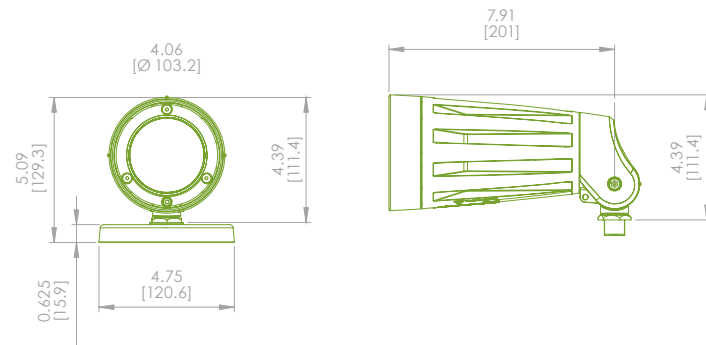
## FLOODLIGHT BULLET

INTERIOR + EXTERIOR

**LOADED WITH OPTIONS.** EcoSpec Floodlight Bullet is an award-winning, highly efficient and powerful indoor- and outdoor-rated luminaire. It features a GORE® Vent to protect the internal system from moisture and prolong product life. Field interchangeable snoots and spread lenses make it very simple to achieve narrow, medium, wide and elliptical distributions.

- Dimmable using Incandescent, TRIAC and ELV dimmers
- Power on board
- 150° vertical aiming
- CCT: 2700K, 3000K, 3500K, 4000K
- Beam options: 11° 20° 30° 40° 60° 80° 10°x60° 30°x60°
- 2048 lm @4000K
- 72 lm/W @4000K
- IP66, UL wet location
- ETL Certified, CE Mark





EcoSpec®

## FLOODLIGHT BULLET MINI

INTERIOR + EXTERIOR

**SMALL WONDER.** EcoSpec Floodlight Bullet Mini is the most efficient indoor- and outdoor-rated luminaire in our product family. It features a GORE® Vent to protect the internal system from moisture and prolong product life. Field interchangeable snoots and spread lenses make it very simple to achieve narrow, medium, wide and elliptical distributions.

- Dimmable using Incandescent, TRIAC and ELV dimmers
- Power on board
- 130° vertical aiming
- CCT: 2700K, 3000K, 3500K, 4000K
- Beam options: 11° 20° 30° 40° 60° 80° 10°x60° 30°x60°
- 920 lm @4000K
- 81 lm/W @4000K
- IP66, UL wet location
- ETL Certified, CE Mark





Floodlight Wash Wall Mount Arm



Square Louver



Wash Lens



Wash Half Visor



Bullet & Bullet Mini 45° Snoot



Slip Fitter



Bullet Mini 90° Snoot



Bullet & Bullet Mini Lenses



Landscape Mounting Stake

EcoSpec®

## ACCESSORIES

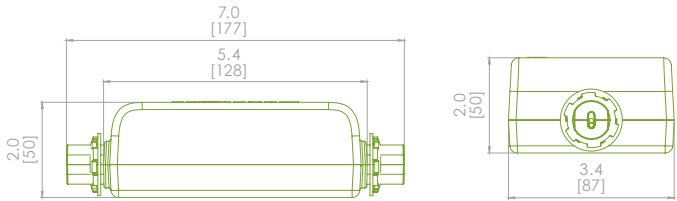
INTERIOR + EXTERIOR | **FLOODLIGHT**

**CUSTOM FIT.** Floodlight includes a line of custom-designed accessories to meet any design challenge. Use of specialized accessories creates unique applications and alternative mounting options.

## LDCM (0-10V > ELV)

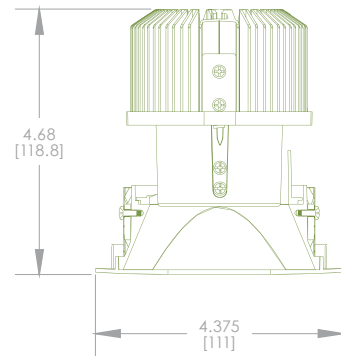
**SMOOTH CONTROL.** EcoSpec Linear Dimming Control Module is the only module in the LED luminaire industry to convert a 0-10V signal to an ELV dimmable signal, allowing ELV fixtures to be used flawlessly in any 0-10V application. Compatible with all EcoSpec and TROV products.

- Simple installation
- 120V and 277V compatible
- One LDCM per fixture runs up to 1000W with a 277V load or 450W on a 120V load



# ERIA

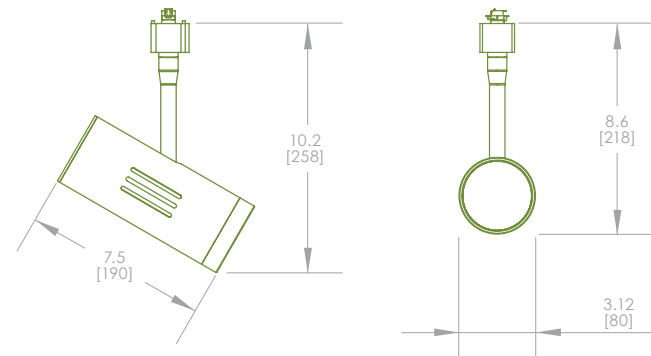
1200 LUMEN 3.5" LED DOWNLIGHT



**PRECISION WITH FLEXIBILITY.** ERIA is a customer inspired small-aperture recessed downlight that meets the needs of lighting designers, contractors and building owners. The ERIA downlight features proprietary precision optics, anti-glare shielding and high quality paint finishes. Additionally, the modular design reduces lead times by allowing ERIA housings to be shipped separately from the LED module and trim.

- Quick and easy tool-less assembly
- Modular Optics: 15°, 25°, 35°, 45°
- CBCP With 15° Optic: 10,000 CBCP @3000K
- Aiming: Adjustable from below the ceiling for easy aiming
- Compatible with ELV and 0-10V
- CCT: 2700K, 3000K, 3500K, 4000K
- CRI Options: 80+, 90+
- Field Replaceable LED Light Engine





## SOLANDRA

2000 LUMEN LED LUMINAIRE

**CLEAN, MINIMAL DESIGN.** The SOLANDRA is a classically styled, cylindrically shaped track luminaire with unmatched performance and simplicity. The driver, heat sink, light engine and optics are all integrated within the luminaire's housing, allowing for a sleek and finless exterior design.

- Beam options: 20,° 30,° 50,° 70°
- CRI options: 80+, 90+
- CCT: 2700K, 3000K, 3500K, 4000K
- 76 lm/W @3000K
- Track System: Line Voltage H-Track or 2C/2N
- Finish: Matte White or Matte Black

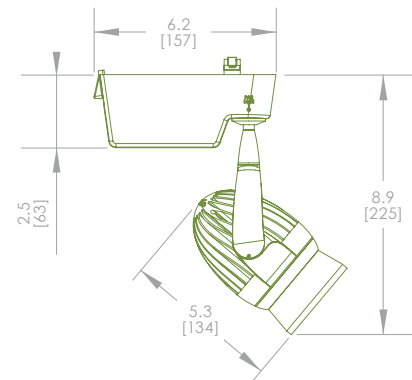


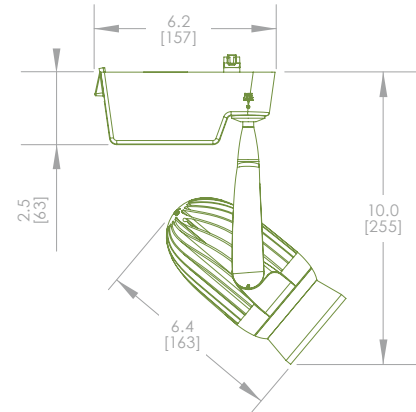
## ZINNIA 1000i / 1300i

1000 / 1300 LUMEN LED LUMINAIRE

**SUPERIOR AESTHETICS AND FUNCTIONALITY.** The ZINNIA family of fixtures was designed to create ultimate flexibility in an LED track head. Embracing the heatsink as part of the design, the ZINNIA head acts as a socket that holds the Zhaga Book 5, GE infusion LED module. The Zinnia 1000i / 1300i delivers 1000 / 1300 lumens in a variety of beam angles for any retail, hospitality or commercial application.

- Beam options: 25°, 36°, 60°
- Compatible with ELV
- CRI options: 80+, 90+
- CCT options: 2700K, 3000K, 4000K
- 57 lm/W @ 3000K (Zinnia 1000i)
- 56 lm/W @ 3000K (Zinnia 1300i)



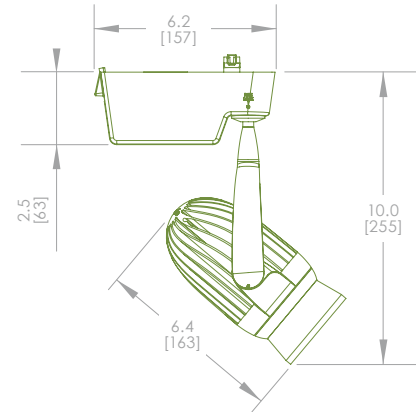


## ZINNIA 1800i

1800 LUMEN LED LUMINAIRE

**SUPERIOR AESTHETICS AND FUNCTIONALITY.** The ZINNIA family of fixtures was designed to create ultimate flexibility in an LED track head. Embracing the heatsink as part of the design, the ZINNIA head acts as a socket that holds the Zhaga Book 5, GE infusion LED module. The Zinnia 1800i delivers 1800 lumens in a variety of beam angles for any retail, hospitality or commercial application.

- Beam options: 25°, 36°, 60°
- CRI options: 80+, 90+
- CCT options: 2700K, 3000K, 4000K
- 58 lm/W @ 3000K



## ZINNIA PUNCH

HIGH CBCP LED LUMINAIRE

**THE POWERHOUSE.** For those applications that require a tight beam angle and high CBCP, Zinnia Punch is an ideal solution. Zinnia Punch is a powerful track light with a strong CBCP of 30,000 and very tight beam angles.

- Beam options: 10°, 12°
- CBCP: 30,000
- CRI options: 80+, 90+
- Optic: Fresnel Lens

# Product Luminaires



	MODEL NUMBER	RATING	LENGTH	TYPICAL WATTAGE/LUMENS @4000K per LF	EFFICACY @4000K	CCT/Monocolor	CRI	VOLTAGE	BEAM ANGLE	DIMMING	HOUSING/ FINISH	PAGE NUMBER
TROV	L35	Interior	12" 48"	2W / 127lms 4W / 327lms 6W / 511lms 8W / 655lms 10W / 916lms	92lm/w	2200K, 2500K* 2700K, 3000K 3500K, 4000K 5000K  Red, Green, Blue, Amber  *2500K not available on 10W	80+, 90+	MultiVolt (110-277)	Cove 120°	ELV; Compatible with 0-10V using LDCM	Anodized Aluminum/Silver	21
	L50	Interior & Exterior	12" 48"	2W / 123lms 4W / 353lms 6W / 550lms 8W / 758lms 10W / 900lms	95lm/w	2200K, 2700K 3000K, 3500K 4000K, 5000K  Red, Green, Blue, Amber	80+, 90+	MultiVolt (110-277)	Cove 120°  Graze 9° x 9° 9° x 17° 9° x 29° 9° x 59° 15° x 15° 15° x 23° 15° x 35° 15° x 65°  Wash 25° x 25° 25° x 33° 25° x 45° 25° x 75° 40° x 40° 40° x 48° 40° x 60° 40° x 90°  Elliptical 39° x 9° 45° x 15°  Asymmetric ASYM  LOL	ELV; Compatible with 0-10V using LDCM	Anodized Aluminum/Silver	23
Slim Cove	SCI	Interior	6" 12" 48"	3W / 350lms	98lm/w	2700K, 3000K 3500K, 4000K	80+	120V	120° x 120°	Non-Dim	Polycarbonate/ Grey	29
EcoSpec Floodlight Wash	WASH	Interior & Exterior	10" Width	45W / 2653lms	53lm/w	2700K, 3000K 3500K, 4000K	80+	120V 220V 277V	11° x 11° 20° x 20° 30° x 30° 40° x 40° 60° x 60° 80° x 80° 10° x 60° 30° x 60°	Incandescent; TRIAC; ELV; Compatible with 0-10V using LDCM	Die Cast Aluminum/ White, Black, Bronze	35
EcoSpec Floodlight Bullet	BUL-L	Interior & Exterior	6" Diameter	27W / 2048lms	72lm/w	2700K, 3000K 3500K, 4000K	80+	120V 220V 277V	11° x 11° 20° x 20° 30° x 30° 40° x 40° 60° x 60° 80° x 80° 10° x 60° 30° x 60°	Incandescent; TRIAC; ELV; Compatible with 0-10V using LDCM	Die Cast Aluminum/ White, Black, Bronze	37
EcoSpec Floodlight Bullet Mini	BUL-S	Interior & Exterior	4" Diameter	10W / 920lms	81lm/w	2700K, 3000K 3500K, 4000K	80+	120V 220V 277V	11° x 11° 20° x 20° 30° x 30° 40° x 40° 60° x 60° 80° x 80° 10° x 60° 30° x 60°	Incandescent; TRIAC; ELV; Compatible with 0-10V using LDCM	Die Cast Aluminum/ White, Black, Bronze	39

Product Specs may vary. Visit [www.ecosenselighting.com](http://www.ecosenselighting.com) for up to date product specification information